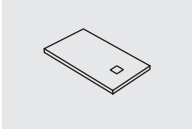
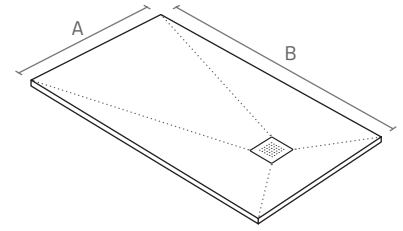


| | | | |
|-----------------------|-------|----|---------------|
| Platos de ducha | _____ | 4 | SLATE |
| | | 5 | NEO |
| | | 5 | CORNER |
| | | 6 | INFINITY |
| | | 6 | EVOLUTION |
| | | 7 | STONE |
| | | 7 | NATURE |
| | | 8 | QUADRATTIA |
| | | 8 | LIMIT |
| | | 9 | GRAVITZERO® |
| | | 9 | CEMENT |
| | | 10 | WOOD |
| | | 10 | SMOOTH |
| | | 11 | CURVE |
| | | 11 | CREATIVESKIN® |
| | | 12 | Suplementos |
| | | | |
| Paneles | _____ | 13 | DECCO |
| | | 14 | TEXPANEL 2.0 |
| | | | |
| Bañeras | _____ | 15 | BAIKAL |
| | | 15 | VOSTOK |
| | | 15 | LEMAN |
| | | 15 | NESS |
| | | 16 | ONEGA |
| | | 16 | TURKANA |
| | | 16 | TOBA |
| | | 16 | MARACAIBO |
| | | 17 | LADOGA |
| | | 17 | MORAINÉ |
| | | 17 | VOLTA |
| | | | |
| Condiciones generales | _____ | 18 | |



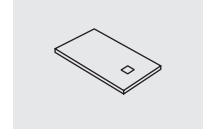
SLATE

Plato + Rejilla inox.
Válvula no incluida (pág. 12)



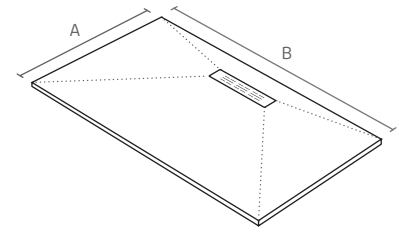
TRANSPORTE INCLUIDO
EN PENÍNSULA

| | | A | | | | | | | | | | | |
|-----|--------|--------|--------|--------|--------|--------|--------|--------|--------|--------|---------|---------|-------|
| | | 70 | | 75 | | 80 | | 85 | | 90 | | 100 | |
| B | 70 | 27070 | 129 € | - | - | - | - | - | - | - | - | - | - |
| | 75 | - | - | 27575 | 149 € | - | - | - | - | - | - | - | - |
| | 80 | 28070 | 148 € | 28075 | 158 € | 28080 | 188 € | - | - | - | - | - | - |
| | 85 | - | - | - | - | - | - | 28585 | 191 € | - | - | - | - |
| | 90 | 29070 | 166 € | 29075 | 178 € | 29080 | 190 € | 29085 | 202 € | 29090 | 213 € | - | - |
| | 100 | 210070 | 228 € | 210075 | 232 € | 210080 | 235 € | 210085 | 238 € | 210090 | 241 € | 2100100 | 264 € |
| | 110 | 211070 | 235 € | 211075 | 238 € | 211080 | 241 € | 211085 | 246 € | 211090 | 250 € | 2110100 | 289 € |
| | 120 | 212070 | 241 € | 212075 | 244 € | 212080 | 247 € | 212085 | 253 € | 212090 | 258 € | 2120100 | 314 € |
| | 130 | 213070 | 254 € | 213075 | 256 € | 213080 | 259 € | 213085 | 265 € | 213090 | 270 € | 2130100 | 330 € |
| | 140 | 214070 | 266 € | 214075 | 268 € | 214080 | 270 € | 214085 | 277 € | 214090 | 282 € | 2140100 | 345 € |
| | 150 | 215070 | 283 € | 215075 | 286 € | 215080 | 288 € | 215085 | 293 € | 215090 | 299 € | 2150100 | 369 € |
| | 160 | 216070 | 299 € | 216075 | 302 € | 216080 | 304 € | 216085 | 306 € | 216090 | 308 € | 2160100 | 392 € |
| | 170 | 217070 | 324 € | 217075 | 326 € | 217080 | 328 € | 217085 | 330 € | 217090 | 332 € | 2170100 | 399 € |
| | 180 | 218070 | 333 € | 218075 | 334 € | 218080 | 336 € | 218085 | 352 € | 218090 | 368 € | 2180100 | 421 € |
| 190 | 219070 | 341 € | 219075 | 344 € | 219080 | 347 € | 219085 | 367 € | 219090 | 388 € | 2190100 | 444 € | |
| 200 | 220070 | 352 € | 220075 | 354 € | 220080 | 356 € | 220085 | 384 € | 220090 | 411 € | 2200100 | 466 € | |
| 210 | 221070 | 440 € | - | - | 221080 | 444 € | - | - | 221090 | 499 € | 2210100 | 554 € | |
| 250 | - | - | - | - | - | - | - | - | - | - | 2250100 | 634 € | |



NEO

Plato + Rejilla inox.
Válvula no incluida (pág. 12)

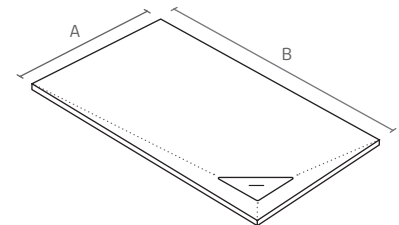


TRANSPORTE INCLUIDO
EN PENÍNSULA

| | | A | | | | | | | |
|---|-----|----------|-------|----------|-------|----------|-------|-----------|-------|
| | | 70 | | 80 | | 90 | | 100 | |
| B | 100 | NEO10070 | 194 € | NEO10080 | 200 € | NEO10090 | 205 € | NEO100100 | 224 € |
| | 120 | NEO12070 | 205 € | NEO12080 | 210 € | NEO12090 | 219 € | NEO120100 | 267 € |
| | 140 | NEO14070 | 226 € | NEO14080 | 230 € | NEO14090 | 240 € | NEO140100 | 293 € |
| | 160 | NEO16070 | 254 € | NEO16080 | 258 € | NEO16090 | 262 € | NEO160100 | 333 € |
| | 180 | NEO18070 | 283 € | NEO18080 | 286 € | NEO18090 | 313 € | NEO180100 | 358 € |
| | 200 | NEO20070 | 299 € | NEO20080 | 303 € | NEO20090 | 349 € | NEO200100 | 396 € |

CORNER

Plato + Tapa integrada*
Válvula no incluida (pág. 12)



TRANSPORTE INCLUIDO
EN PENÍNSULA

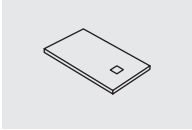
| | | A | | | | | | | |
|---|-----|-----------|-------|-----------|-------|-----------|-------|------------|-------|
| | | 70 | | 80 | | 90 | | 100 | |
| B | 120 | CO12070-- | 266 € | CO12080-- | 272 € | CO12090-- | 284 € | CO120100-- | 346 € |
| | 140 | CO14070-- | 293 € | CO14080-- | 298 € | CO14090-- | 311 € | CO140100-- | 380 € |
| | 160 | CO16070-- | 330 € | CO16080-- | 335 € | CO16090-- | 340 € | CO160100-- | 432 € |
| | 180 | CO18070-- | 367 € | CO18080-- | 370 € | CO18090-- | 406 € | CO180100-- | 464 € |
| | 200 | CO20070-- | 388 € | CO20080-- | 392 € | CO20090-- | 453 € | CO200100-- | 514 € |
| | 250 | - | - | - | - | - | - | CO250100-- | 643 € |



* Sustituir "--" en la referencia por la ubicación del desagüe (LH/RH):

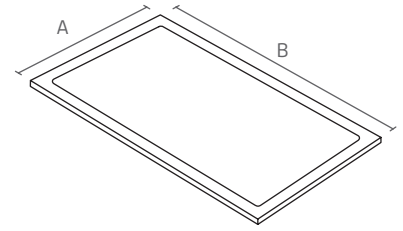
LH = Izquierda

RH = Derecha



INFINITY

Plato + Tapa integrada
Válvula no incluida (pág. 12)

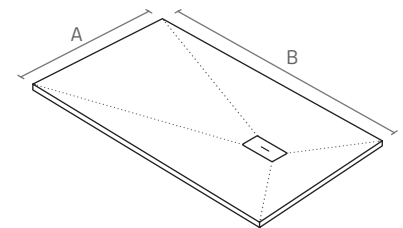


TRANSPORTE INCLUIDO
EN PENÍNSULA

| | | A | | | | | | | |
|---|-----|---------|-------|---------|-------|---------|-------|----------|-------|
| | | 70 | | 80 | | 90 | | 100 | |
| B | 100 | IN10070 | 304 € | IN10080 | 321 € | IN10090 | 341 € | IN100100 | 417 € |
| | 120 | IN12070 | 339 € | IN12080 | 353 € | IN12090 | 374 € | IN120100 | 460 € |
| | 140 | IN14070 | 374 € | IN14080 | 385 € | IN14090 | 407 € | IN140100 | 503 € |
| | 160 | IN16070 | 419 € | IN16080 | 431 € | IN16090 | 442 € | IN160100 | 568 € |

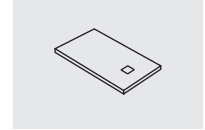
EVOLUTION

Plato + Tapa integrada
Válvula no incluida (pág. 12)



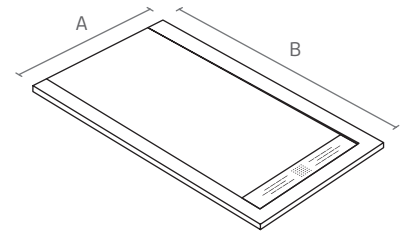
TRANSPORTE INCLUIDO
EN PENÍNSULA

| | | A | | | | | | | |
|---|-----|---------|-------|---------|-------|---------|-------|----------|-------|
| | | 70 | | 80 | | 90 | | 100 | |
| B | 80 | - | - | EV8080 | 197 € | - | - | - | - |
| | 90 | - | - | - | - | EV9090 | 224 € | - | - |
| | 100 | EV10070 | 239 € | EV10080 | 247 € | EV10090 | 253 € | EV100100 | 277 € |
| | 120 | EV12070 | 253 € | EV12080 | 259 € | EV12090 | 271 € | EV120100 | 330 € |
| | 140 | EV14070 | 279 € | EV14080 | 284 € | EV14090 | 296 € | EV140100 | 362 € |
| | 150 | EV15070 | 297 € | EV15080 | 302 € | EV15090 | 314 € | EV150100 | 387 € |
| | 160 | EV16070 | 314 € | EV16080 | 319 € | EV16090 | 323 € | EV160100 | 412 € |
| | 170 | EV17070 | 340 € | EV17080 | 344 € | EV17090 | 349 € | EV170100 | 419 € |
| | 180 | EV18070 | 350 € | EV18080 | 353 € | EV18090 | 386 € | EV180100 | 442 € |
| | 190 | EV19070 | 358 € | EV19080 | 364 € | EV19090 | 407 € | EV190100 | 466 € |
| | 200 | EV20070 | 370 € | EV20080 | 374 € | EV20090 | 432 € | EV200100 | 489 € |



STONE

Plato + Rejilla inox.
Válvula no incluida (pág. 12)

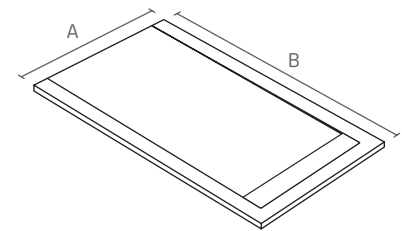


TRANSPORTE INCLUIDO
EN PENÍNSULA

| | | A | | | | | | | |
|---|-----|---------|-------|---------|-------|---------|-------|----------|-------|
| | | 70 | | 80 | | 90 | | 100 | |
| B | 110 | ST11070 | 292 € | ST11080 | 308 € | ST11090 | 325 € | ST110100 | 403 € |
| | 120 | ST12070 | 308 € | ST12080 | 321 € | ST12090 | 340 € | ST120100 | 418 € |
| | 130 | ST13070 | 324 € | ST13080 | 336 € | ST13090 | 355 € | ST130100 | 437 € |
| | 140 | ST14070 | 340 € | ST14080 | 350 € | ST14090 | 370 € | ST140100 | 457 € |
| | 150 | ST15070 | 360 € | ST15080 | 371 € | ST15090 | 386 € | ST150100 | 486 € |
| | 160 | ST16070 | 381 € | ST16080 | 392 € | ST16090 | 402 € | ST160100 | 516 € |
| | 170 | ST17070 | 390 € | ST17080 | 426 € | ST17090 | 462 € | ST170100 | 539 € |
| | 180 | ST18070 | 423 € | ST18080 | 432 € | ST18090 | 477 € | ST180100 | 552 € |
| | 190 | ST19070 | 433 € | ST19080 | 446 € | ST19090 | 511 € | ST190100 | 580 € |
| | 200 | ST20070 | 447 € | ST20080 | 457 € | ST20090 | 531 € | ST200100 | 609 € |
| | 210 | ST21070 | 462 € | ST21080 | 472 € | ST21090 | 556 € | ST210100 | 642 € |
| | 250 | - | - | - | - | - | - | ST250100 | 685 € |

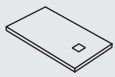
NATURE

Plato + Tapa integrada
Válvula no incluida (pág. 12)



TRANSPORTE INCLUIDO
EN PENÍNSULA

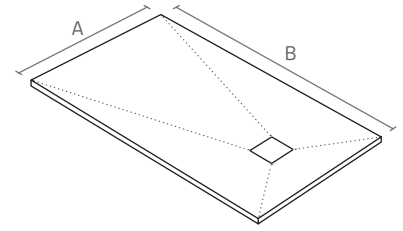
| | | A | | | | | | | |
|---|-----|---------|-------|---------|-------|---------|-------|----------|-------|
| | | 70 | | 80 | | 90 | | 100 | |
| B | 110 | NA11070 | 322 € | NA11080 | 336 € | NA11090 | 352 € | NA110100 | 434 € |
| | 120 | NA12070 | 339 € | NA12080 | 353 € | NA12090 | 374 € | NA120100 | 460 € |
| | 130 | NA13070 | 356 € | NA13080 | 370 € | NA13090 | 390 € | NA130100 | 482 € |
| | 140 | NA14070 | 374 € | NA14080 | 385 € | NA14090 | 407 € | NA140100 | 503 € |
| | 150 | NA15070 | 398 € | NA15080 | 408 € | NA15090 | 425 € | NA150100 | 536 € |
| | 160 | NA16070 | 419 € | NA16080 | 431 € | NA16090 | 442 € | NA160100 | 568 € |
| | 170 | NA17070 | 429 € | NA17080 | 469 € | NA17090 | 508 € | NA170100 | 593 € |
| | 180 | NA18070 | 465 € | NA18080 | 475 € | NA18090 | 525 € | NA180100 | 607 € |
| | 190 | NA19070 | 476 € | NA19080 | 491 € | NA19090 | 562 € | NA190100 | 638 € |
| | 200 | NA20070 | 492 € | NA20080 | 503 € | NA20090 | 584 € | NA200100 | 670 € |
| | 210 | NA21070 | 510 € | NA21080 | 521 € | NA21090 | 604 € | NA210100 | 698 € |
| | 250 | - | - | - | - | - | - | NA250100 | 728 € |



QUADRATTIA

Plato + Tapa integrada
Válvula no incluida (pág. 12)

TRANSPORTE INCLUIDO
EN PENÍNSULA

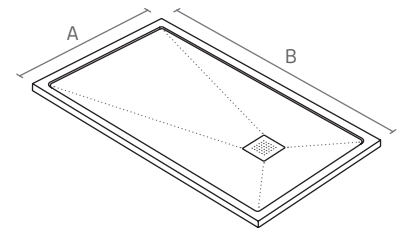


| | | A | | | | | | | | | | | |
|-----|---------|---------|-------|---------|---------|---------|-------|---------|---------|---------|----------|----------|-------|
| | | 70 | | 75 | | 80 | | 85 | | 90 | | 100 | |
| B | 70 | QU7070 | 133 € | - | - | - | - | - | - | - | - | - | - |
| | 75 | - | - | QU7575 | 153 € | - | - | - | - | - | - | - | - |
| | 80 | QU8070 | 152 € | QU8075 | 162 € | QU8080 | 192 € | - | - | - | - | - | - |
| | 85 | - | - | - | - | - | - | QU8585 | 195 € | - | - | - | - |
| | 90 | QU9070 | 170 € | QU9075 | 182 € | QU9080 | 194 € | QU9085 | 206 € | QU9090 | 217 € | - | - |
| | 100 | QU10070 | 232 € | QU10075 | 236 € | QU10080 | 239 € | QU10085 | 242 € | QU10090 | 245 € | QU100100 | 268 € |
| | 110 | QU11070 | 239 € | QU11075 | 242 € | QU11080 | 245 € | QU11085 | 250 € | QU11090 | 254 € | QU110100 | 293 € |
| | 120 | QU12070 | 245 € | QU12075 | 248 € | QU12080 | 251 € | QU12085 | 257 € | QU12090 | 262 € | QU120100 | 318 € |
| | 130 | QU13070 | 258 € | QU13075 | 260 € | QU13080 | 263 € | QU13085 | 269 € | QU13090 | 274 € | QU130100 | 334 € |
| | 140 | QU14070 | 270 € | QU14075 | 272 € | QU14080 | 274 € | QU14085 | 281 € | QU14090 | 286 € | QU140100 | 349 € |
| | 150 | QU15070 | 287 € | QU15075 | 290 € | QU15080 | 292 € | QU15085 | 297 € | QU15090 | 303 € | QU150100 | 373 € |
| | 160 | QU16070 | 303 € | QU16075 | 306 € | QU16080 | 308 € | QU16085 | 310 € | QU16090 | 312 € | QU160100 | 396 € |
| | 170 | QU17070 | 328 € | QU17075 | 330 € | QU17080 | 332 € | QU17085 | 334 € | QU17090 | 336 € | QU170100 | 403 € |
| | 180 | QU18070 | 337 € | QU18075 | 338 € | QU18080 | 340 € | QU18085 | 356 € | QU18090 | 372 € | QU180100 | 425 € |
| | 190 | QU19070 | 345 € | QU19075 | 348 € | QU19080 | 351 € | QU19085 | 371 € | QU19090 | 392 € | QU190100 | 448 € |
| | 200 | QU20070 | 356 € | QU20075 | 358 € | QU20080 | 360 € | QU20085 | 388 € | QU20090 | 415 € | QU200100 | 470 € |
| 210 | QU21070 | 444 € | - | - | QU21080 | 448 € | - | - | QU21090 | 503 € | QU210100 | 558 € | |
| 250 | - | - | - | - | - | - | - | - | - | - | QU250100 | 638 € | |

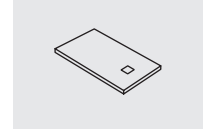
LIMIT

Plato + Rejilla inox.
Válvula no incluida (pág. 12)

TRANSPORTE INCLUIDO
EN PENÍNSULA

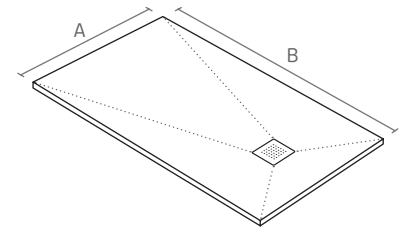


| | | A | | | | | |
|---|-----|---------|-------|---------|-------|----------|-------|
| | | 80 | | 90 | | 100 | |
| B | 100 | LI10080 | 263 € | LI10090 | 270 € | LI100100 | 296 € |
| | 120 | LI12080 | 277 € | LI12090 | 289 € | LI120100 | 352 € |
| | 140 | LI14080 | 302 € | LI14090 | 316 € | LI140100 | 386 € |
| | 160 | LI16080 | 340 € | LI16090 | 345 € | LI160100 | 439 € |
| | 180 | LI18080 | 376 € | LI18090 | 412 € | LI180100 | 472 € |
| | 200 | LI20080 | 399 € | LI20090 | 460 € | LI200100 | 522 € |



GRAVITZERO®

Plato + Rejilla inox.
Válvula no incluida (pág. 12)

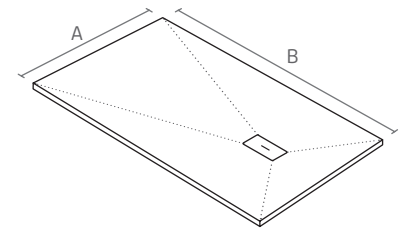


TRANSPORTE INCLUIDO
EN PENÍNSULA

| | | A | | | | | | | | | | | |
|-------|---------|---------|-------|---------|---------|---------|---------|---------|---------|---------|----------|----------|---------|
| | | 71 | | 76 | | 81 | | 86 | | 91 | | 101 | |
| B | 71,5 | GR7070 | 385 € | - | - | - | - | - | - | - | - | - | - |
| | 76,5 | - | - | GR7575 | 411 € | - | - | - | - | - | - | - | - |
| | 81,5 | GR8070 | 415 € | GR8075 | 426 € | GR8080 | 435 € | - | - | - | - | - | - |
| | 86,5 | - | - | - | - | - | - | GR8585 | 482 € | - | - | - | - |
| | 91,5 | GR9070 | 446 € | GR9075 | 472 € | GR9080 | 490 € | GR9085 | 521 € | GR9090 | 551 € | - | - |
| | 101,5 | GR10070 | 476 € | GR10075 | 510 € | GR10080 | 544 € | GR10085 | 578 € | GR10090 | 612 € | GR100100 | 680 € |
| | 111,5 | GR11070 | 523 € | GR11075 | 561 € | GR11080 | 599 € | GR11085 | 635 € | GR11090 | 673 € | GR110100 | 748 € |
| | 121,5 | GR12070 | 571 € | GR12075 | 612 € | GR12080 | 653 € | GR12085 | 693 € | GR12090 | 734 € | GR120100 | 816 € |
| | 131,5 | GR13070 | 619 € | GR13075 | 661 € | GR13080 | 708 € | GR13085 | 751 € | GR13090 | 795 € | GR130100 | 884 € |
| | 141,5 | GR14070 | 666 € | GR14075 | 711 € | GR14080 | 762 € | GR14085 | 810 € | GR14090 | 857 € | GR140100 | 952 € |
| | 151,5 | GR15070 | 714 € | GR15075 | 812 € | GR15080 | 816 € | GR15085 | 867 € | GR15090 | 918 € | GR150100 | 1.020 € |
| | 161,5 | GR16070 | 762 € | GR16075 | 922 € | GR16080 | 870 € | GR16085 | 924 € | GR16090 | 979 € | GR160100 | 1.088 € |
| | 171,5 | GR17070 | 809 € | GR17075 | 867 € | GR17080 | 925 € | GR17085 | 983 € | GR17090 | 1.040 € | GR170100 | 1.156 € |
| | 181,5 | GR18070 | 857 € | GR18075 | 918 € | GR18080 | 979 € | GR18085 | 1.040 € | GR18090 | 1.102 € | GR180100 | 1.224 € |
| | 191,5 | GR19070 | 904 € | GR19075 | 969 € | GR19080 | 1.034 € | GR19085 | 1.098 € | GR19090 | 1.163 € | GR190100 | 1.292 € |
| | 201,5 | GR20070 | 952 € | GR20075 | 1.020 € | GR20080 | 1.088 € | GR20085 | 1.156 € | GR20090 | 1.224 € | GR200100 | 1.360 € |
| 211,5 | GR21070 | 1.055 € | - | - | GR21080 | 1.153 € | - | - | GR21090 | 1.345 € | GR210100 | 1.445 € | |
| 251,5 | - | - | - | - | - | - | - | - | - | - | GR250100 | 1.556 € | |

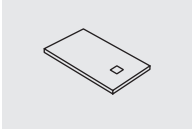
CEMENT

Plato + Tapa integrada
Válvula no incluida (pág. 12)



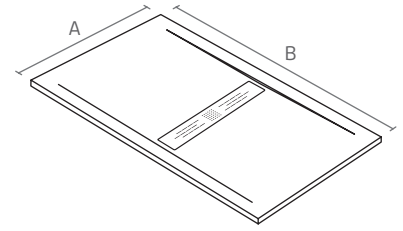
TRANSPORTE INCLUIDO
EN PENÍNSULA

| | | A | | | | | |
|---|-----|---------|-------|---------|-------|---------|-------|
| | | 70 | | 80 | | 90 | |
| B | 100 | CE10070 | 251 € | CE10080 | 259 € | CE10090 | 265 € |
| | 120 | CE12070 | 265 € | CE12080 | 272 € | CE12090 | 284 € |
| | 140 | CE14070 | 293 € | CE14080 | 297 € | CE14090 | 310 € |
| | 150 | CE15070 | 311 € | CE15080 | 317 € | CE15090 | 329 € |
| | 160 | CE16070 | 329 € | CE16080 | 334 € | CE16090 | 339 € |
| | 170 | CE17070 | 356 € | CE17080 | 361 € | CE17090 | 365 € |
| | 180 | CE18070 | 366 € | CE18080 | 370 € | CE18090 | 405 € |



WOOD

Plato + Rejilla inox.
Válvula no incluida (pág. 12)

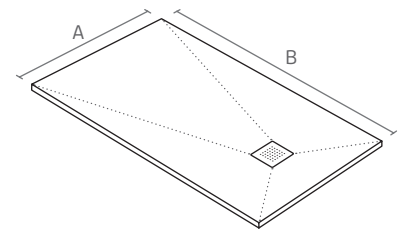


TRANSPORTE INCLUIDO
EN PENÍNSULA

| | | A | | | | | | | |
|---|-----|---------|-------|---------|-------|---------|-------|----------|-------|
| | | 70 | | 80 | | 90 | | 100 | |
| B | 100 | WO10070 | 281 € | WO10080 | 293 € | WO10090 | 303 € | WO100100 | 335 € |
| | 120 | WO12070 | 297 € | WO12080 | 308 € | WO12090 | 324 € | WO120100 | 395 € |
| | 140 | WO14070 | 327 € | WO14080 | 335 € | WO14090 | 353 € | WO140100 | 432 € |
| | 160 | WO16070 | 367 € | WO16080 | 376 € | WO16090 | 384 € | WO160100 | 489 € |
| | 180 | WO18070 | 407 € | WO18080 | 414 € | WO18090 | 455 € | WO180100 | 523 € |
| | 200 | WO20070 | 430 € | WO20080 | 438 € | WO20090 | 506 € | WO200100 | 577 € |

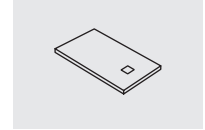
SMOOTH

Plato + Rejilla inox.
Válvula no incluida (pág. 12)



TRANSPORTE INCLUIDO
EN PENÍNSULA

| | | A | | | | | | | |
|---|-----|---------|-------|---------|-------|---------|-------|----------|-------|
| | | 70 | | 80 | | 90 | | 100 | |
| B | 80 | - | - | SM8080 | 214 € | - | - | - | - |
| | 90 | - | - | - | - | SM9090 | 243 € | - | - |
| | 100 | SM10070 | 260 € | SM10080 | 268 € | SM10090 | 276 € | SM100100 | 301 € |
| | 120 | SM12070 | 275 € | SM12080 | 282 € | SM12090 | 294 € | SM120100 | 358 € |
| | 140 | SM14070 | 304 € | SM14080 | 308 € | SM14090 | 322 € | SM140100 | 394 € |
| | 160 | SM16070 | 341 € | SM16080 | 347 € | SM16090 | 352 € | SM160100 | 448 € |
| | 170 | SM17070 | 370 € | SM17080 | 375 € | SM17090 | 379 € | SM170100 | 456 € |
| | 180 | SM18070 | 381 € | SM18080 | 384 € | SM18090 | 431 € | SM180100 | 482 € |
| | 190 | SM19070 | 390 € | SM19080 | 397 € | SM19090 | 454 € | SM190100 | 508 € |
| | 200 | SM20070 | 392 € | SM20080 | 426 € | SM20090 | 477 € | SM200100 | 534 € |



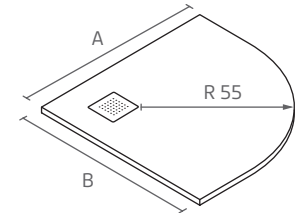
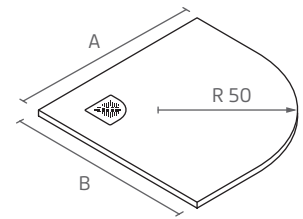
CURVE

Plato + Rejilla inox.
Válvula no incluida (pág. 12)

TRANSPORTE INCLUIDO
EN PENÍNSULA

| | | A | | | |
|---|----|----------|-------|----------|-------|
| | | 80 | 90 | | |
| B | 80 | CU508080 | 118 € | - | - |
| | 90 | - | - | CU509090 | 213 € |

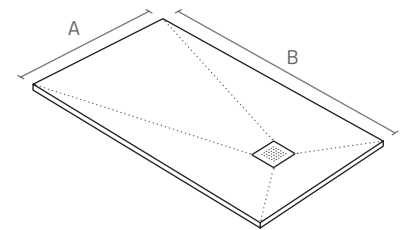
| | | A | | | | | |
|---|-----|----------|-------|----------|-------|------------|-------|
| | | 80 | 90 | 100 | | | |
| B | 80 | CU558080 | 118 € | - | - | - | - |
| | 90 | - | - | CU559090 | 213 € | - | - |
| | 100 | - | - | - | - | CU55100100 | 263 € |



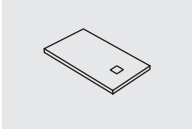
CREATIVESKIN®

Plato + Rejilla inox.
Válvula no incluida (pág. 12)

TRANSPORTE INCLUIDO
EN PENÍNSULA



| | | A | | | | | | | |
|---|-----|---------|-------|---------|---------|---------|---------|----------|---------|
| | | 70 | 80 | 90 | | 100 | | | |
| B | 80 | - | - | CR8080 | 448 € | - | - | - | - |
| | 90 | - | - | - | - | CR9090 | 567 € | - | - |
| | 100 | CR10070 | 490 € | CR10080 | 560 € | CR10090 | 630 € | CR100100 | 700 € |
| | 120 | CR12070 | 588 € | CR12080 | 672 € | CR12090 | 756 € | CR120100 | 840 € |
| | 140 | CR14070 | 686 € | CR14080 | 784 € | CR14090 | 882 € | CR140100 | 980 € |
| | 150 | CR15070 | 735 € | CR15080 | 840 € | CR15090 | 945 € | CR150100 | 1.050 € |
| | 160 | CR16070 | 784 € | CR16080 | 896 € | CR16090 | 1.008 € | CR160100 | 1.120 € |
| | 170 | CR17070 | 833 € | CR17080 | 952 € | CR17090 | 1.071 € | CR170100 | 1.190 € |
| | 180 | CR18070 | 882 € | CR18080 | 1.008 € | CR18090 | 1.134 € | CR180100 | 1.260 € |
| | 190 | CR19070 | 931 € | CR19080 | 1.064 € | CR19090 | 1.197 € | CR190100 | 1.330 € |
| | 200 | CR20070 | 980 € | CR20080 | 1.120 € | CR20090 | 1.260 € | CR200100 | 1.400 € |



SUPLEMENTOS

REJILLAS / TAPAS

| | | |
|---|------------|-------|
| Suplemento color | - | 10 € |
| Rejilla inox Slate* | REJCUA | 7 € |
| Rejilla inox Stone/Wood (70) | STREJ70 | 24 € |
| Rejilla inox Stone/Wood (80) | STREJ80 | 26 € |
| Rejilla inox Stone/Wood (90) | STREJ90 | 29 € |
| Rejilla inox Stone/Wood (100) | STREJ100 | 31 € |
| Rejilla inox Evolution/Cement | REJEVO | 27 € |
| Rejilla inox Neo | REJNEO | 27 € |
| Rejilla inox Curve (R 50) | REJCUR50 | 18 € |
| Tapa integrada Nature (70) | TAPANAT70 | 29 € |
| Tapa integrada Nature (80) | TAPANAT80 | 33 € |
| Tapa integrada Nature (90) | TAPANAT90 | 36 € |
| Tapa integrada Nature (100) | TAPANAT100 | 40 € |
| Tapa integrada Cement | TAPACEM | 26 € |
| Tapa integrada Evolution | TAPAEVO | 26 € |
| Tapa integrada Infinity (m ²) | - | 338 € |

VÁLVULAS

| | | |
|---------------------------------------|-----------|------|
| Enroscada | VALVULA | 9 € |
| Vertical | VALVER | 15 € |
| Atornillada A | VALVULAT | 22 € |
| Atornillada B | VALVULATB | 22 € |
| Doble (Sólo Neo, Evolution y Cement)) | VALDOB | 25 € |

TERMINACIÓN

| | | |
|-------------------------|-------|------|
| Corte con acabado | CORTE | 37 € |
| Corte recto sin acabado | - | 0 € |

COLOR RAL

| | | |
|------------------------------|-----|------|
| Suplemento colores Carta Ral | RAL | 60 € |
|------------------------------|-----|------|

CREATIVESKIN®

| | | |
|-----------------------------|---------|--------|
| Creativeskin® personalizado | CREAPER | +150 € |
|-----------------------------|---------|--------|

KITS

| | | |
|----------------------------------|---------|------|
| Kit reparación (indicar color) | KITREP | 26 € |
| Kit recuperación (indicar color) | KITRECU | 64 € |

RAMPA DE ACCESO

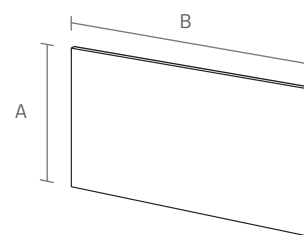
| | | |
|-------------|--------|------|
| Rampa (70) | RAM70 | 60 € |
| Rampa (80) | RAM80 | 60 € |
| Rampa (90) | RAM90 | 60 € |
| Rampa (100) | RAM100 | 60 € |

* Rejilla compatible con los siguientes platos: Slate, Smooth, Limit, Curve (R 55), Gravitzero®, Creativeskin®



TEXPANEL 2.0

Panel (indicar textura) *



TRANSPORTE INCLUIDO
EN PENÍNSULA

| | | A | | | | | | | | | |
|---|-----|-----------|-------|-----------|-------|-----------|-------|------------|-------|------------|-------|
| | | 70 | | 80 | | 90 | | 100 | | 110 | |
| B | 70 | PN--7070 | 91 € | - | - | - | - | - | - | - | - |
| | 80 | PN--8070 | 104 € | PN--8080 | 118 € | - | - | - | - | - | - |
| | 90 | PN--9070 | 117 € | PN--9080 | 133 € | PN--9090 | 150 € | - | - | - | - |
| | 100 | PN--10070 | 130 € | PN--10080 | 148 € | PN--10090 | 167 € | PN--100100 | 185 € | - | - |
| | 110 | PN--11070 | 142 € | PN--11080 | 163 € | PN--11090 | 183 € | PN--110100 | 204 € | PN--110110 | 224 € |
| | 120 | PN--12070 | 155 € | PN--12080 | 178 € | PN--12090 | 200 € | PN--120100 | 222 € | PN--120110 | 244 € |
| | 130 | PN--13070 | 168 € | PN--13080 | 192 € | PN--13090 | 216 € | PN--130100 | 241 € | PN--130110 | 265 € |
| | 140 | PN--14070 | 181 € | PN--14080 | 207 € | PN--14090 | 233 € | PN--140100 | 259 € | PN--140110 | 285 € |
| | 150 | PN--15070 | 194 € | PN--15080 | 222 € | PN--15090 | 250 € | PN--150100 | 278 € | PN--150110 | 305 € |
| | 160 | PN--16070 | 207 € | PN--16080 | 237 € | PN--16090 | 266 € | PN--160100 | 296 € | PN--160110 | 326 € |
| | 170 | PN--17070 | 220 € | PN--17080 | 252 € | PN--17090 | 283 € | PN--170100 | 315 € | PN--170110 | 346 € |
| | 180 | PN--18070 | 233 € | PN--18080 | 266 € | PN--18090 | 300 € | PN--180100 | 333 € | PN--180110 | 366 € |
| | 190 | PN--19070 | 246 € | PN--19080 | 281 € | PN--19090 | 316 € | PN--190100 | 352 € | PN--190110 | 387 € |
| | 200 | PN--20070 | 259 € | PN--20080 | 296 € | PN--20090 | 333 € | PN--200100 | 370 € | PN--200110 | 407 € |
| | 210 | PN--21070 | 272 € | PN--21080 | 311 € | PN--21090 | 350 € | PN--210100 | 389 € | PN--210110 | 427 € |
| | 220 | PN--22070 | 285 € | PN--22080 | 326 € | PN--22090 | 367 € | PN--220100 | 408 € | PN--220110 | 447 € |
| | 230 | PN--23070 | 298 € | PN--23080 | 341 € | PN--23090 | 384 € | PN--230100 | 427 € | PN--230110 | 467 € |
| | 240 | PN--24070 | 311 € | PN--24080 | 356 € | PN--24090 | 401 € | PN--240100 | 446 € | PN--240110 | 487 € |
| | 250 | PN--25070 | 324 € | PN--25080 | 371 € | PN--25090 | 418 € | PN--250100 | 465 € | PN--250110 | 507 € |

CUADRADOS

| | | |
|-----------|------------|-------|
| 70 x 70 | PN--7070 | 91 € |
| 80 x 80 | PN--8080 | 118 € |
| 90 x 90 | PN--9090 | 150 € |
| 100 x 100 | PN--100100 | 185 € |
| 110 x 110 | PN--110110 | 224 € |

SUPLEMENTOS

COLOR RAL

| | | |
|------------------------------|-----|------|
| Suplemento colores Carta Ral | RAL | 60 € |
|------------------------------|-----|------|

CREATIVESKIN®

| | | |
|--|---------|--------|
| Creativeskin® estándar (m ²) | - | 374 € |
| Creativeskin® Personalizado | CREAPER | +150 € |

KITS

| | | |
|----------------------------------|---------|------|
| Kit reparación (indicar color) | KITREP | 26 € |
| Kit recuperación (indicar color) | KITRECU | 64 € |

* Sustituir "--" en la referencia por la textura:

SL = Slate EV = Evolution
CE = Cement WO = Wood
UN = Uniform

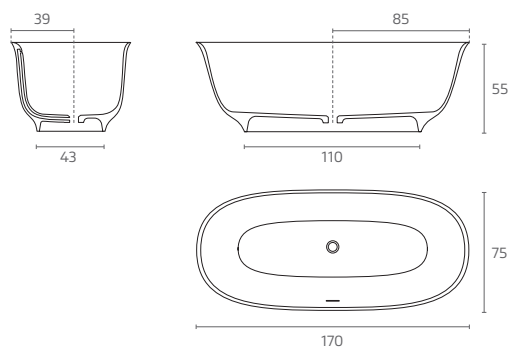
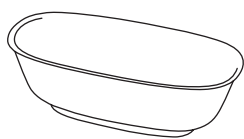


BAIKAL

Bañera + Válvula + Sifón

TRANSPORTE INCLUIDO
EN PENÍNSULA

| | | |
|--------|----------|---------|
| BAIKAL | BABAICAL | 2.795 € |
|--------|----------|---------|

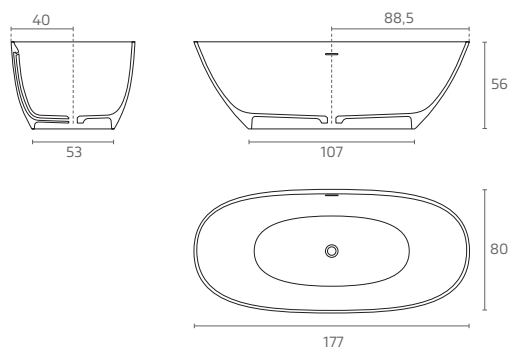
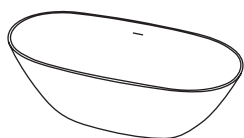


VOSTOK

Bañera + Válvula + Sifón

TRANSPORTE INCLUIDO
EN PENÍNSULA

| | | |
|--------|----------|---------|
| VOSTOK | BAVOSTOK | 2.875 € |
|--------|----------|---------|

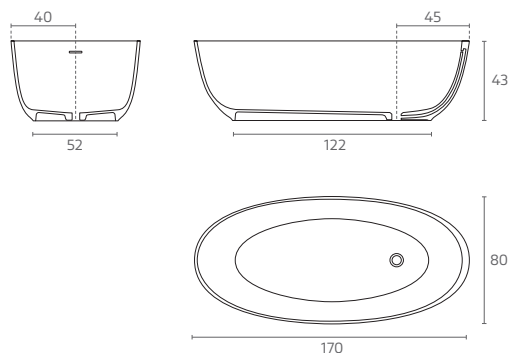


LEMAN

Bañera + Válvula + Sifón

TRANSPORTE INCLUIDO
EN PENÍNSULA

| | | |
|-------|---------|---------|
| LEMAN | BALEMAN | 3.175 € |
|-------|---------|---------|

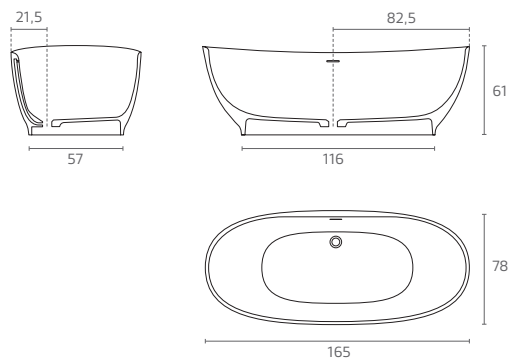
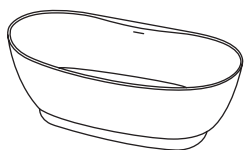


NESS

Bañera + Válvula + Sifón

TRANSPORTE INCLUIDO
EN PENÍNSULA

| | | |
|------|--------|---------|
| NESS | BANESS | 2.975 € |
|------|--------|---------|



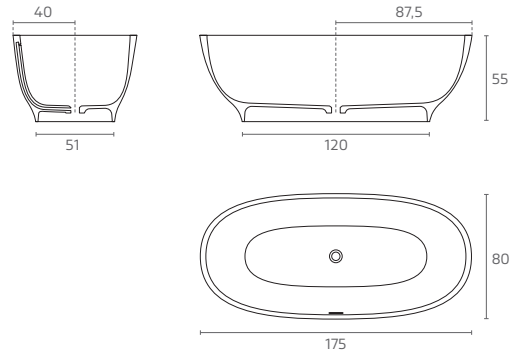
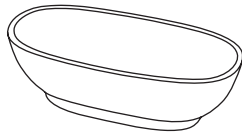


ONEGA

Bañera + Válvula + Sifón

TRANSPORTE INCLUIDO
EN PENÍNSULA

| | | |
|-------|---------|---------|
| ONEGA | BAONEGA | 2.975 € |
|-------|---------|---------|

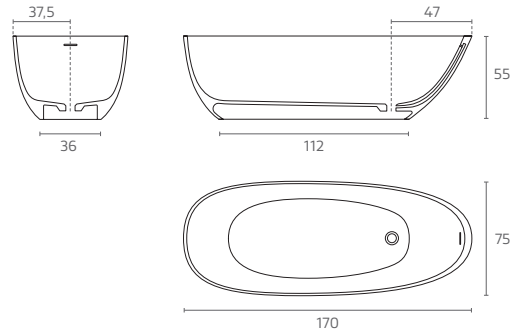
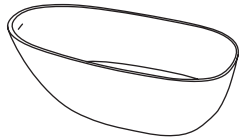


TURKANA

Bañera + Válvula + Sifón

TRANSPORTE INCLUIDO
EN PENÍNSULA

| | | |
|---------|-----------|---------|
| TURKANA | BATURKANA | 2.950 € |
|---------|-----------|---------|

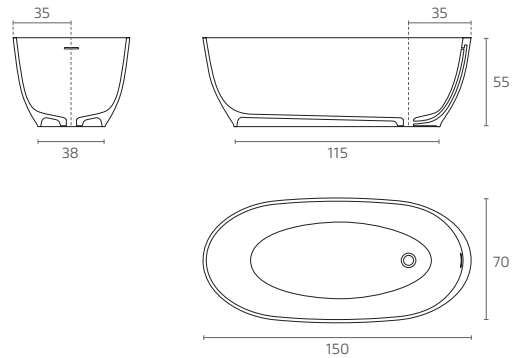
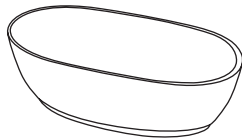


TOBA

Bañera + Válvula + Sifón

TRANSPORTE INCLUIDO
EN PENÍNSULA

| | | |
|------|--------|---------|
| TOBA | BATOBA | 2.650 € |
|------|--------|---------|

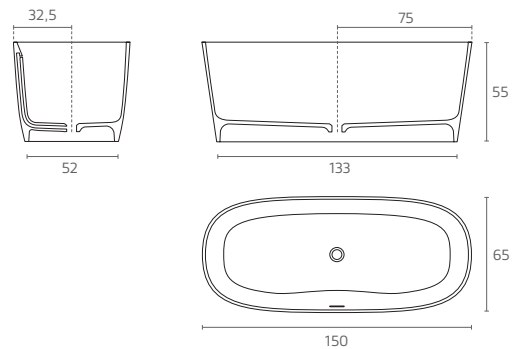
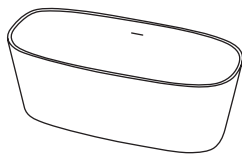


MARACAIBO

Bañera + Válvula + Sifón

TRANSPORTE INCLUIDO
EN PENÍNSULA

| | | |
|-----------|-------------|---------|
| MARACAIBO | BAMARACAIBO | 2.495 € |
|-----------|-------------|---------|



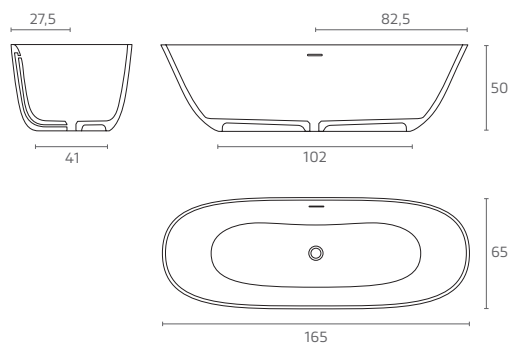
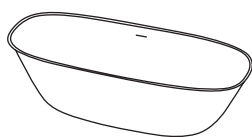


LADOGA

Bañera + Válvula + Sifón

TRANSPORTE INCLUIDO
EN PENÍNSULA

LADOGA BALADOGA 2.350 €

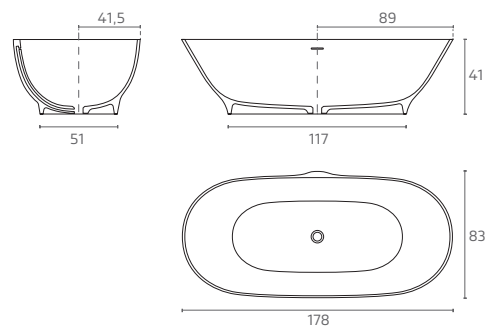
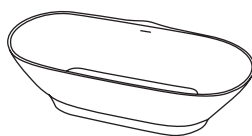


MORAINE

Bañera + Válvula + Sifón

TRANSPORTE INCLUIDO
EN PENÍNSULA

MORAINE BAMORAINE 3.995 €

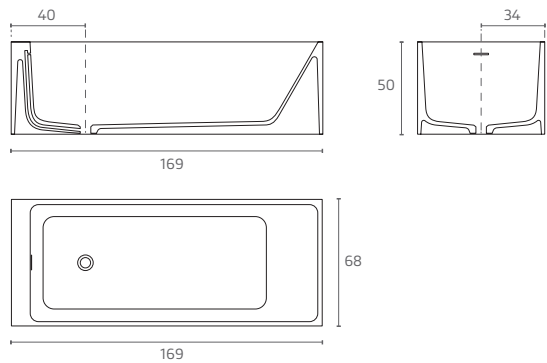
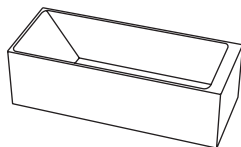


VOLTA

Bañera + Válvula + Sifón

TRANSPORTE INCLUIDO
EN PENÍNSULA

VOLTA BAVOLTA 3.900 €



CONDICIONES GENERALES

Transporte incluido en península en pedidos a partir de 150€. Otros destinos, consultar.

Precios sujetos a posibles variaciones sin previo aviso.

Todos los precios de este tarifario son PVP sin IVA.

Formas de pago a convenir. Otras modalidades posibles, sujetas a análisis crediticio.

Tarifa válida salvo error tipográfico.

FECHA DE IMPRESIÓN: Febrero 2019.

Puede encontrar la tarifa actualizada en versión digital a través de la web www.nuovvo.es, accediendo al área cliente.

Las actualizaciones digitales prevalecen siempre sobre la tarifa impresa.

¿Algún problema con su producto?

Escríbanos a incidencias@nuovvo.es y le ayudaremos.

NUOVVO[®]
shower reinvented



NOVARALI, S.L.

Avda. de la Industria s/n
Pol. Ind. San Fernando
03350 Cox (Alicante) SPAIN
T. +34 965 681 207
www.nuovvo.es
info@nuovvo.es